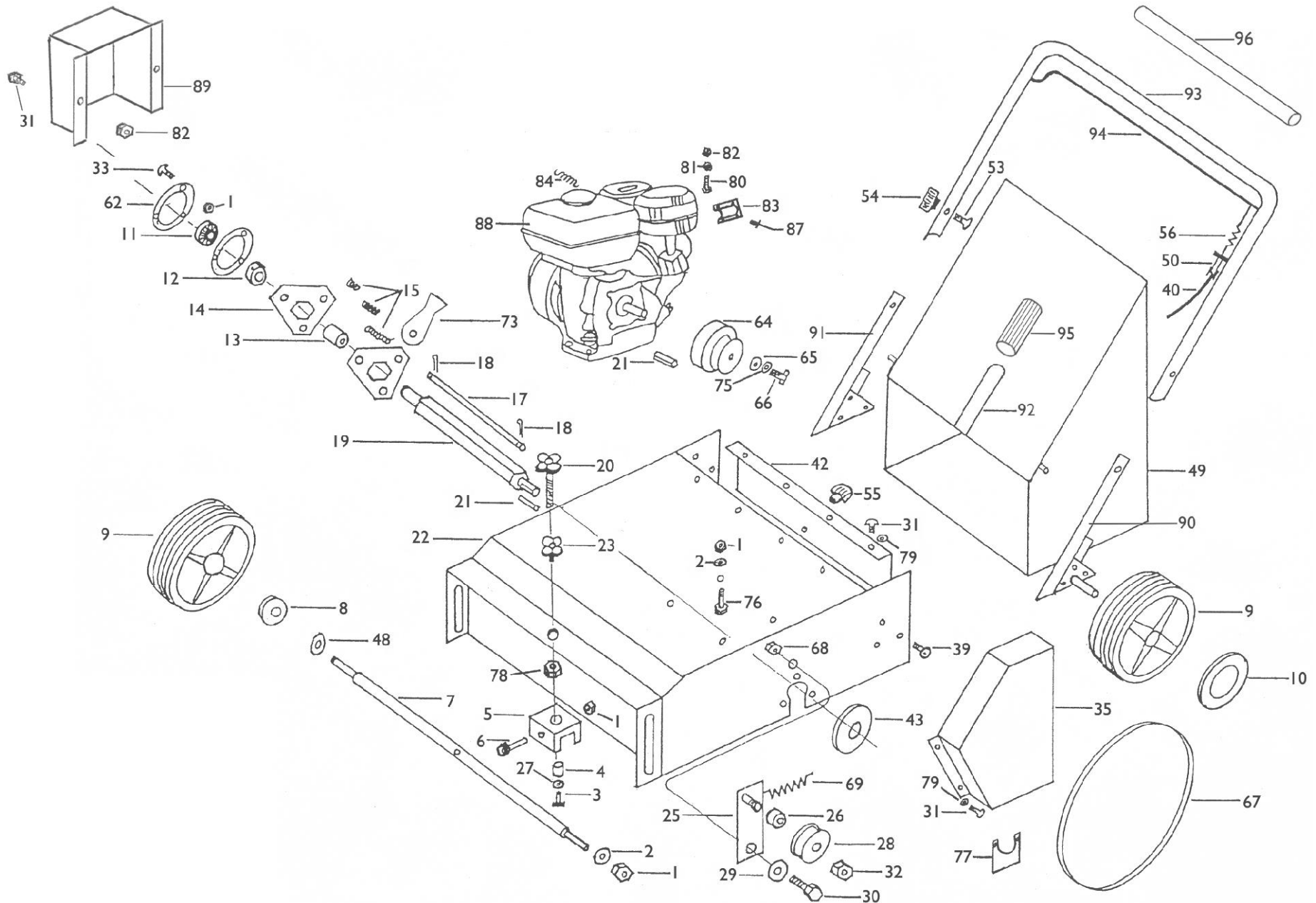


## **LS17 LAWN SCARIFIER**

### **PARTS DIAGRAM**

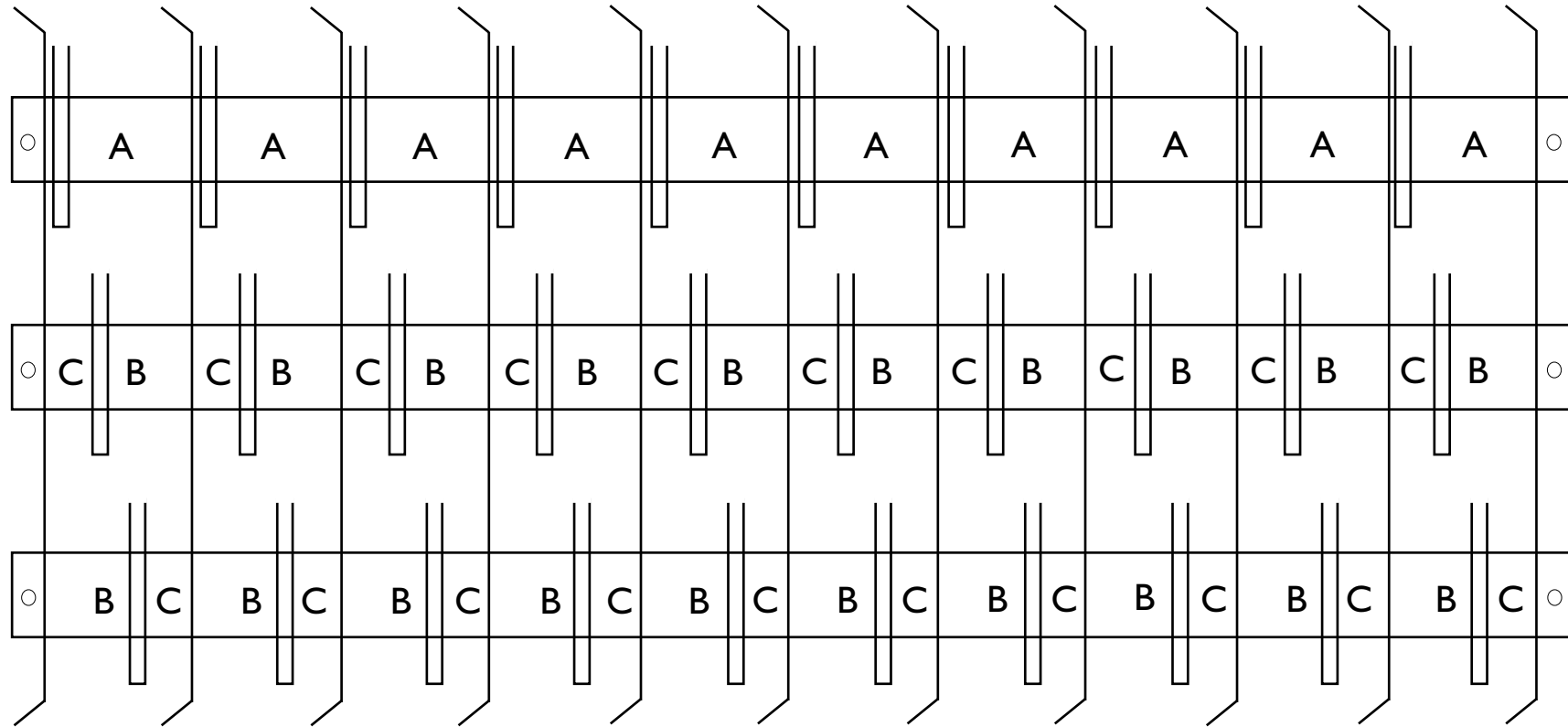


# **CAMON LS17 LAWN SCARIFIER**



<u>Diag No</u>	<u>Part No</u>	<u>Description</u>	<u>Qty</u>	<u>Diag No</u>	<u>Part No</u>	<u>Description</u>	<u>Qty</u>
1	31241080	Nyloc Nut	14	49	60049	Collector Bag	1
2	31411084	Washer	22	50	58147704	Adjuster	1
3	60003	Capscrew	1	53	12819201	Coach Bolt	2
4	60004	Swivel Bush	1	54	22399900	Knob	2
5	60005	Clevis	1	55	60055	Knob	1
6	31112157	Bolt	1	56	22450800	Spring (2mm)	1
7	60007	Front Axle	1	58	60058	Set 1.6mm Blades (30)	1
8	22122200	Bearing	8	59	60059	1mm Blade Rotor Assembly (12-19)	1
9	81007313	Wheel	4	62	60062	Bearing Carrier	4
10	22110275	Cap	4	64	60064	Centrifugal Clutch	1
11	60011	SLF Bearing	2	65	60065	Penny Washer	2
12	60012	Clamp	2	66	31100003	Bolt	1
13	60013	Spacer	10	67	60067	Belt	1
14	60014	Spider	11	68	31241120	Nyloc Nut	1
15	60015A	Spring (2")	10	69	60069	Tension Springs	1
15	60015B	Spring (1¼")	20	72	60072	Set Springs for 1mm Blades	1
15	60015C	Spring (¾")	20	73	60073	Blade (1mm)	30
17	60017	Rod	3	74	60074	Set 1mm Blades and Springs	1
18	34213023	Pin	6	75	60075	Spring Washer	1
19	60019	Rotor Shaft	1	76	31112153	Bolt	4
20	60020	Adjustable Handle	1	77	60077	Cover Plate	2
21	56356165	Key	1	78	31231160	Nut	2
22	60022	Chassis	1	79	60079	Rect Split Washer (6mm)	8
23	60023	Locking Handle	1	80	810949	Throttle Bolt	1
25	60025	Jockey Plate	1	81	31211060	Nut	2
26	60026	Spacer	1	82	31241060	Nyloc Nut	3
27	60027	Washer	1	83	18342-733-010	Exhaust Elbow	1
28	60028	Jockey Bearing	1	84	58049786	Throttle Spring	1
29	60029	Penny Washer	2	87	60087	Pop Rivet ⅛" x ½"	2
30	31113215	Bolt	1	88	60088	Honda GX160QX4	1
31	31121006	Capscrew	8	89	60089	Cover	1
32	60032	Nut	1	90	60090	LH Rear Axle	1
33	60033	Button Head	2	91	60091	RH Rear Axle	1
35	60035	Belt Guard	1	92	60092	Bag Frame	1
39	60039	Button Head	10	93	60093	Top Handlebar	1
40	60040	Throttle Cable	1	94	60094	Operating Lever	1
42	60042	Hinged Ejection Flap	1	95	58048000	Grip	1
43	60043	Pulley	1	96	60096	Rubber Sleeve	1
48	31423130	Wavy Washer	4				

# Spring & 1.6mm Blade Layout



	Qty
A = 2" spring	(10)
B = 1¼" spring	(20)
C = ¾" spring	(20)